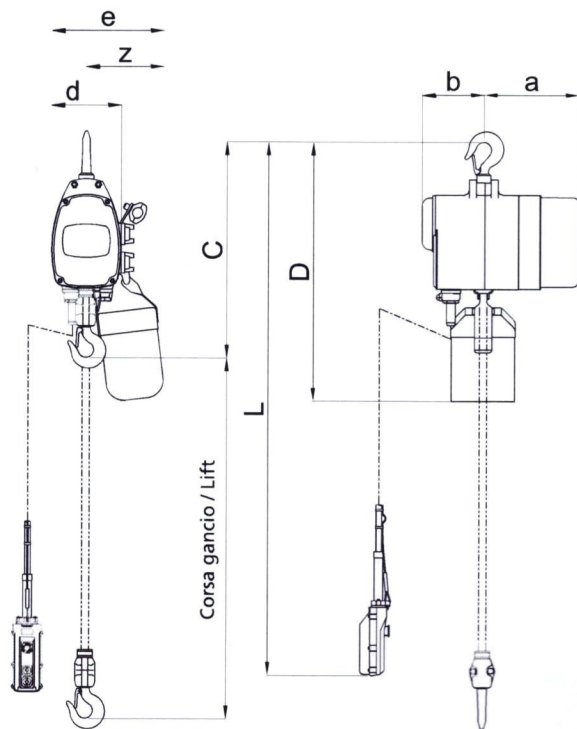


## CARATTERISTICHE SPECIFICATION

- Voltage 400V 50Hz
- Control Voltage 48 V
- IP 54 enclosure protection
- Galvanized chain resistant to fatigue and wear
- Chain container

- Alimentazione 230/400V 50Hz
- Apparecchiatura in bassa tensione 48 V
- Protezione paranco IP 54
- Catena zincata resistente alla fatica e alla corrosione
- Sacco raccogli catena



	Portata WLL	Tipo Type	Corsa gancio STD Std lift	Cavo pulsantiera STD L Std push button cord	Velocità sollevamento Lifting speed	Motore sollevamento Lifting motor		Tiri catena Chain falls	Carico di prova Test load	Peso netto Net weight
	t		m	m	m/min.	Potenza Output kW	R.I. R.I. %	n°	Kg	Kg
1 vel. sollev.  1 speed	125 kg	KF 20S1/1G	3.0	2.0	8.0	0.45	50	1	156	28
	250 kg	KF 20S2/1G	3.0	2.0	4.0	0.45	50	2	313	32
	250 kg	KF 25S1/1G	3.0	2.0	8.0	0.45	50	1	313	28
	500 kg	KF 25S2/1G	3.0	2.0	4.0	0.45	50	2	625	32
	500 kg	KF 50S1/1G	3.0	2.0	7.0	0.80	50	1	625	41
	1	KF 50S2/1G	3.0	2.0	3.5	0.80	50	2	1250	46
	1	KF 100S1/1G	3.0	2.0	6.5	1.50	50	1	1250	56
	2	KF 100S2/1G	3.0	2.0	3.3	1.50	50	2	2500	62
2 vel. sollev.  2 speed	125 kg	KF 20S1A/1G	3.0	2.0	8.0/2.7	0.45/0.15	40/40	1	156	28
	250 kg	KF 20S2A/1G	3.0	2.0	4.0/1.3	0.45/0.15	40/40	2	313	32
	250 kg	KF 25S1A/1G	3.0	2.0	8.0/2.7	0.45/0.15	40/40	1	313	28
	500 kg	KF 25S2A/1G	3.0	2.0	4.0/1.3	0.45/0.15	40/40	2	625	32
	500 kg	KF 50S1A/1G	3.0	2.0	7.0/2.3	0.80/0.27	40/40	1	625	41
	1	KF 50S2A/1G	3.0	2.0	3.5/1.2	0.80/0.27	40/40	2	1250	46
	1	KF 100S1A/1G	3.0	2.0	6.5/2.2	1.50/0.50	40/40	1	1250	57
	2	KF 100S2A/1G	3.0	2.0	3.3/1.1	1.50/0.50	40/40	2	2500	63

- Tutti i modelli sono disponibili con comando diretto o in bassa tensione.
- All models available with direct voltage or low voltage.

	Portata WLL	Tipo Type	Ingombro minimo C Minimum headroom C		Dimensioni Dimensions					
	t		mm	D mm	a mm	b mm	d mm	e mm	g mm	z mm
1 vel. sollev.  1 speed	125 kg	KF 20S1/1G	510	610 [700]	147 (241)	148	174	267 [277]	24	180 [190]
	250 kg	KF 20S2/1G	550	610 [700]	147 (241)	148	174	267 [277]	24	180 [190]
	250 kg	KF 25S1/1G	510	610 [700]	147 (241)	148	174	267 [277]	24	180 [190]
	500 kg	KF 25S2/1G	550	610 [700]	147 (241)	148	174	267 [277]	24	180 [190]
	500 kg	KF 50S1/1G	560	750 [830]	147 (224)	167	218	309 [384]	24	200 [275]
	1	KF 50S2/1G	635	765 [845]	147 (224)	167	218	309 [384]	31	200 [275]
	1	KF 100S1/1G	630	870 [910]	169 (253)	183	233	347 [412]	31	230 [295]
	2	KF 100S2/1G	800	970 [1010]	169 (253)	183	251	347 [412]	37	230 [295]
2 vel. sollev.  2 speed	125 kg	KF 20S1A/1G	510	610 [700]	147 (241)	148	174	267 [277]	24	180 [190]
	250 kg	KF 20S2A/1G	550	610 [700]	147 (241)	148	174	267 [277]	24	180 [190]
	250 kg	KF 25S1A/1G	510	610 [700]	147 (241)	148	174	267 [277]	24	180 [190]
	500 kg	KF 25S2A/1G	550	610 [700]	147 (241)	148	174	267 [277]	24	180 [190]
	500 kg	KF 50S1A/1G	560	750 [830]	147 (224)	167	218	309 [384]	24	200 [275]
	1	KF 50S2A/1G	635	765 [845]	147 (224)	167	218	309 [384]	31	200 [275]
	1	KF 100S1A/1G	630	870 [910]	169 (253)	183	233	347 [412]	31	230 [295]
	2	KF 100S2A/1G	800	970 [1010]	169 (253)	183	251	347 [412]	37	230 [295]

- Le dimensioni ( ) della quota "a" sono riferite a paranchi con comandi in bassa tensione.
- Le dimensioni ( ) delle quote "D", "e", "z" sono riferite a paranchi con sacco raccoglicatena grande.
- Dimensions in brackets for measure "a" are data for low voltage control.
- Dimensions in brackets for measures "D", "e", "z" are data for large size containers.